

## WATER GATE OPENING INDICATOR

# Shaft-Rotation Type (NTX400 Series)

- Compact size
- Rainproof structure
- Selectable synchro transmitter type (86G, 86DG, 23TX)
- Selectable reduction gear ratio (6/1 to 1/36, 1/36 to 1/1296)



## Summary

- NTX400 Series is floor and compact type gate opening indicator by directly measuring a shaft rotation of gate hoist.
- Synchro transmitter is mounted for output signal.
- Available for Radial gate and Sluice gate.

## Main specification

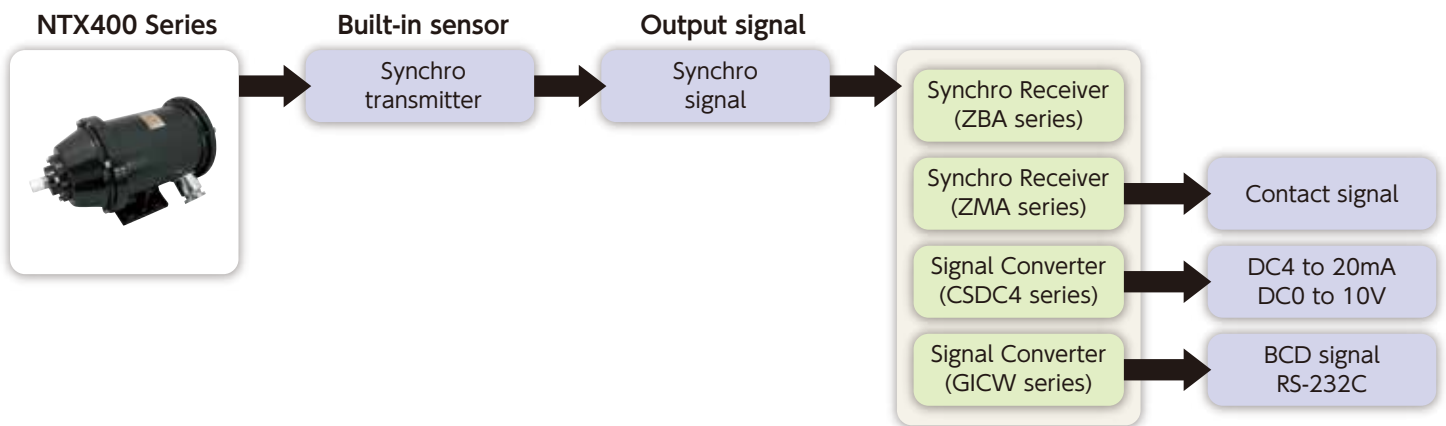
Ambient Temperature	-20°C to +50°C
Ambient Humidity	30 to 90% RH (Non condensing)
Structure of Main Body	Rainproof (IP54 Equivalent)
Indicator accuracy ※	±0.2%F.S(86type) ±0.1%F.S(23type)
Allowable rotation speed	300r/min.
Allowable radial load	147N(15kg·f)
Allowable thrust load	98N(10kg·f)
Shaft friction torque	0.294N·m(3kg·f·cm)
Gear ratio	NTX400 : 6/1 to 1/36 NTX400L : 1/40 to 1/1296
Weight	NTX400 : Approx. 9kg NTX400L : Approx. 10kg

※ When the reduction gear ratio

## Model name: NTX40[A][B]-[CD][E]

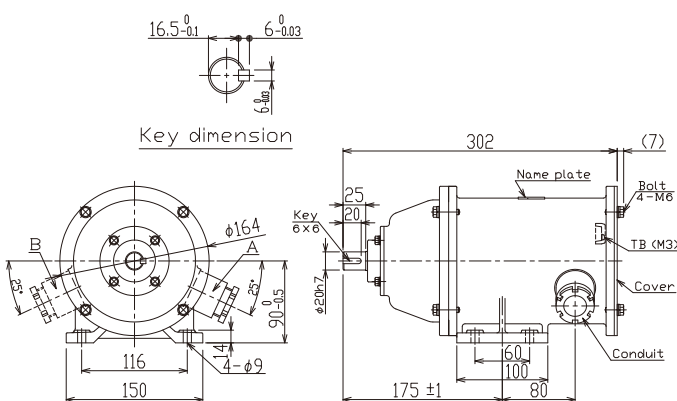
Code	Option Type	Option Detail Number
[A]	Gear construction	G : Normal gear L : backlashless gear
[B]	Body size	none : short body L : long body
[CD]	Included synchronous motor type	86 : 86G 85 : 86DG 2T : 23TX
[E]	Conduit position (side viewed from the side of the input shaft)	A : Right B : Left

## System configuration

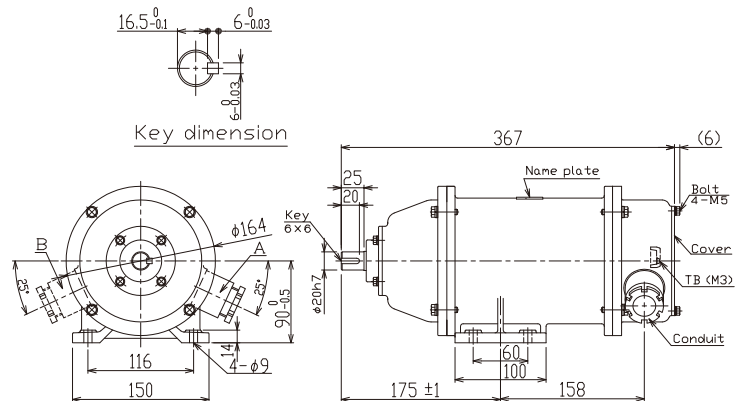


## Outline drawing

(NTX400 TYPE)



(NTX400L TYPE)



※ Information in this document is subject to change without notice